



Inferno Intenso

Sound Barrier

INSTALLATION INSTRUCTIONS

INFERNO

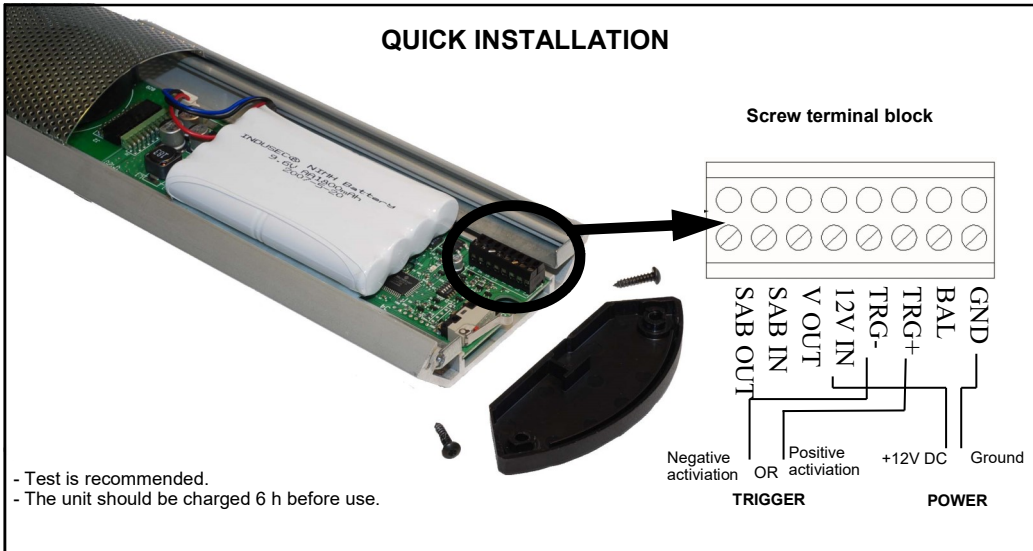
The Inferno Sound Barrier is intended for professional use only and should be handled and installed by authorized installers.

- Do not connect the unit to other supplies than 12 (12-16) V DC.
- It will not work properly before the unit has been charged for 6 hours.
- The battery must be changed at least every third year.
- While dealing with the PCB's inside the unit, precautions must be observed for handling electrostatic discharge sensitive devices.
- It's recommended to use earplugs when installing

Tools needed:

- Screwdriver
- Torx 10 wrench
- Screws and drill for mounting the unit

QUICK INSTALLATION



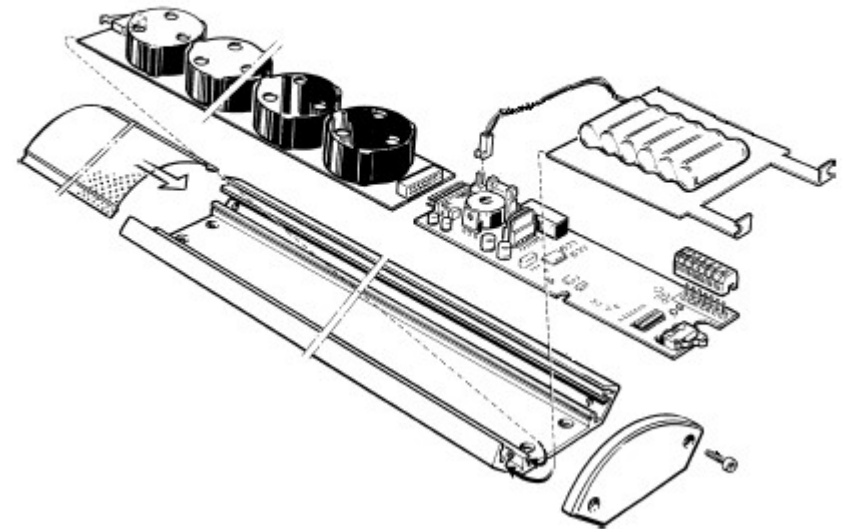
- Test is recommended.
- The unit should be charged 6 h before use.

Indusec makes no representation that this product will prevent personal injury or property loss or that the product will in all cases provide adequate warning or protection. Purchaser should understand that a properly installed and maintained alarm system may only reduce the risk of a burglary, robbery or fire without warning, but the alarm is not insurance or a guarantee that such will not occur or that there will be no personal injury or property loss as a result. THEREFORE, INDUSEC, SHALL NOT BE LIABLE FOR ANY CONSEQUENTIAL OR INCIDENTAL DAMAGES IN CONNECTION WITH THE USE, INSTALLATION AND/OR MAINTENANCE OF THE PRODUCT. Including, but not limited to the liability for any property damage, bodily injury, or other loss based on a claim that the product failed to give warning, or any cost of expense of providing substitute equipment or service during periods of malfunction, nonuse or maintenance. In no event shall the liability of Indusec exceed the purchase price of the product.

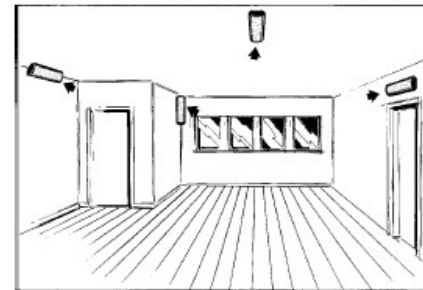
1

In the interest of improving internal design, operational function, and/or reliability, Indusec reserves the right to make changes to the products described in this document without notice. Indusec does not assume any liability that may occur due to the use or application of the product(s) or circuit layout(s) described herein.

1) THE UNIT



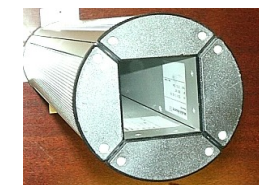
2) MOUNTING



Inferno Micro or Intenso



Inferno Outdoor



Option: Multiple units

Multiple units can be attached together forming either a semi circle or a full circle. The Semi-circle unit can be mounted either on the wall or the ceiling while the Omni version works best hanging from the ceiling.

2

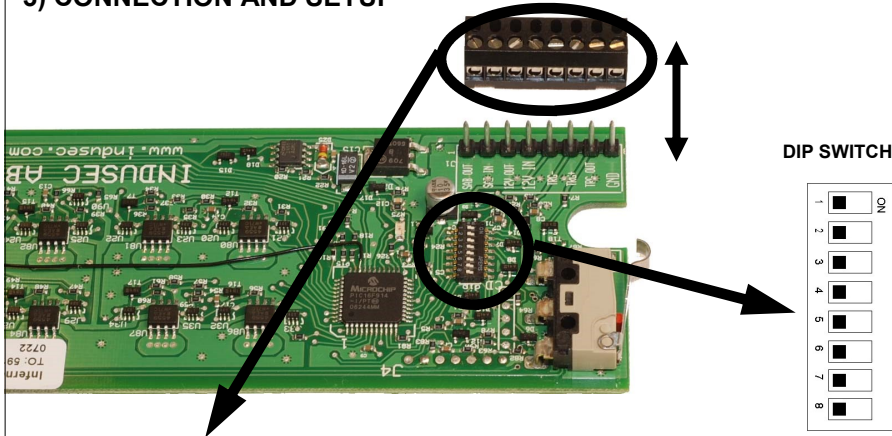


Inferno Intenso

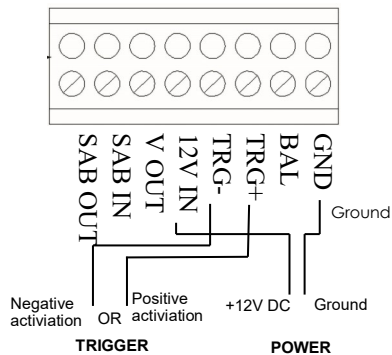
Sound Barrier

INFERNO

3) CONNECTION AND SETUP



SCREW TERMINAL BLOCK



- Charging Indication
ON = A red light will lit when charging.
OFF = No indication when charging. (default)
- Reserve
- Test Mode
ON = Test mode, reduced sound level.
OFF = Normal mode (default)
- 3 Minutes Timeout
ON = Timeout disabled.
OFF = Max alarm signal length 3 min. Then a new trig is needed. (default)
- Reserve
- Fixed Alarm Signal Length
ON = 45 s
OFF = Alarm signal length follows trigger. (default)
- Reserve
- Visual Bad Battery Indication
ON = No visual bad battery indication
OFF = Red blinking when battery is bad. Change battery.

- GND = Ground
- BAL = Bad battery, open collector, output open at fault
- TRG + = Positive activation
- TRG - = Negative activation
- 12 V IN = Charge +12 V DC
- V OUT = Reserve
- SAB IN = Tamper out
- SAB OUT = Tamper in

Option: Tamper

The tamper loop is an extra mechanical security protection. It is not needed for the function of the siren.

The tamper loop consists of a series connection that enters at the Connector at SAB IN goes through the microswitch at the end of the board, runs through the CPU board through the middle connector to the speaker board through the microswitch on that very end and back to the Connector at SAB OUT.

The loop can contain other normally-closed switches such as magnetic contacts or mercury tilt switches in the alarm set-up.

4) ASSEMBLING THE UNIT

- Before applying power to the unit, ensure that Dip switch #3 is in the ON position. (Test mode)
- Assemble the two PCB's and the battery. Attach the battery cable to the connector.
- Power can now be applied.
- Set Dip switch #1 to ON. A red LED on the CPU circuit board should light up. Battery is charging.
- Dip switch #1 can be in either in ON or OFF mode.
- Set the Dip switch #3 to OFF. (Normal mode)
- Attach the grid and the two end caps.
- The Inferno Intenso is assembled and ready for use.

5) TEST

We recommend testing the unit either before mounting or during assembling.

Without a connected Tamper loop it is only necessary to connect the two PCB's, the battery and power.

Test procedure (The battery will need about 20 minutes to charge before testing.);

- Set Dip switch #3 to ON position (Test mode)
- Activate either Trigger signal.
- The unit should generate four short different-pitched sound signals indicating that the unit works.
- Switch off the Trigger signal.
- Set Dip switch #3 to OFF position. (Normal operation mode)
- The test is complete.

6) SPECIFICATIONS V14171103

Coverage	Up to 150 cubic meters (60 square meters x 2.5)
Electrical interface	
Power Supply	12 – 16 V DC, < 150 mA
Activation Signals	Trig (-): 0 – 0.5 V, (10 mA) Trig (+): 9 – 18 V, (10 mA)
Cables	0.25 – 1.0 square mm, (AWG 22 – 18)
Battery	9.6 V Ni-MH, NI-MH batteries performance is improved if charged/discharged.
Capacity	1800 mAh, (sufficient for 30 minutes continuous alarm)
Charge time	The unit should be charged 6 hours before use.
Standby w/o battery charge	Up to 1 month
Life time	Up to 3 years, then at latest it has to be replaced
Sound output	125 ± 3 dB(A) @ 1m
Output frequency	2–5 kHz